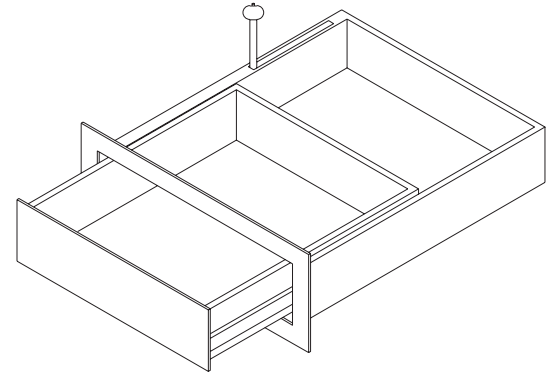


Exterior Pass Thru Drawer

Product Description

Installations exterior pass thru drawer is constructed out of stainless steel and UHMW for long lasting durability. The unit can be lined with level I, II & III ballistic fiberglass to meet your specifications. The unit has an acrylic lid to allow vision to the package being transferred. The pass thru drawer operates by a handle controlled by the employee and can be locked when not in use.



Bullet Resistant Options:

The drawer unit can be lined with Level I, II or III ballistic fiberglass

Finish Options:

Brushed stainless steel & UHMW construction

Recommended Uses:

- Convenience Stores
- Gas Stations
- Fast Food Operations
- Walk up windows

Benefits and Features:

- Level I, II & III BR lined
- Employee controls operation
- Full vision lockable lid.
- Delivered complete and ready for installation